

## Conversor

Logistic

Comparison

Display

SKU Master Data

Self Service

Material |

EAN |

### CONVERSION

N° of UN 1 4 SUC

N° of UN 1 260 SUN

N° of SUN 1 0.015 SUC

N° of SUC 1 65.00 SUN

N° of UN 1 14.07 L

N° of SUC 1 3.26 L

1 UN = 4 SUC

1 UN = 260 SUN

1 SUN = 0.015 SUC

1 SUC = 65.00 SUN

1 UN = 14.07 L

1 SUC = 3.26 L

### MASTER DATA

<b>Material Code:</b>	545654	<b>Core Business:</b>	Sauces
<b>Status SAP:</b>	OK	<b>Segment:</b>	Cold wet sauces
<b>Material Group:</b>	Salsas y Mayonesas	<b>Family:</b>	Cold wet sauces
<b>Brand:</b>	Own Brand	<b>Sub-Brand:</b>	Devos & Lemmens
<b>Plant:</b>	M026	<b>Technology:</b>	Ambient
<b>Material Type:</b>	Finished Product	<b>Product Hierarchy:</b>	BBBB06B6010006
<b>Material Group5:</b>	B15	<b>DFU:</b>	
<b>Savour:</b>	Mussel	<b>Format:</b>	Jar 2L PET
<b>SUN/UN:</b>	260	<b>Pack/STD:</b>	NORM
<b>Shelf Life (Days):</b>	274.00	<b>EAN SUC:</b>	5414972356549
<b>Tarif:</b>	63,48 EUR	<b>EAN UN:</b>	5414972656540
		<b>EAN Pallet:</b>	35414972656541
<b>Commodity import description:</b>	Sauces and preparations...	<b>Commodity import code:</b>	0000000021039090

### DIMENSIONS

	Length	Width	Height	Gross Weight	Net Weight	Volume
<b>SUC:</b>	133 MM	133 MM	184 MM	2,11 KG	1,988 KG	3,255 L
<b>UN:</b>	275 MM	275 MM	186 MM	9,03 KG	7,952 KG	14,066 L
<b>PL:</b>	1,2 M	0,8 M	1,08 M	563,56 KG	477,12 KG	1036,8 L

**SUC/UN:** 4    **UN/Layer PL:** 12    **Layers/PL:** 5    **UN/PL:** 60    **SUC/PL:** 240

Conversor

**Logistic**

Comparison

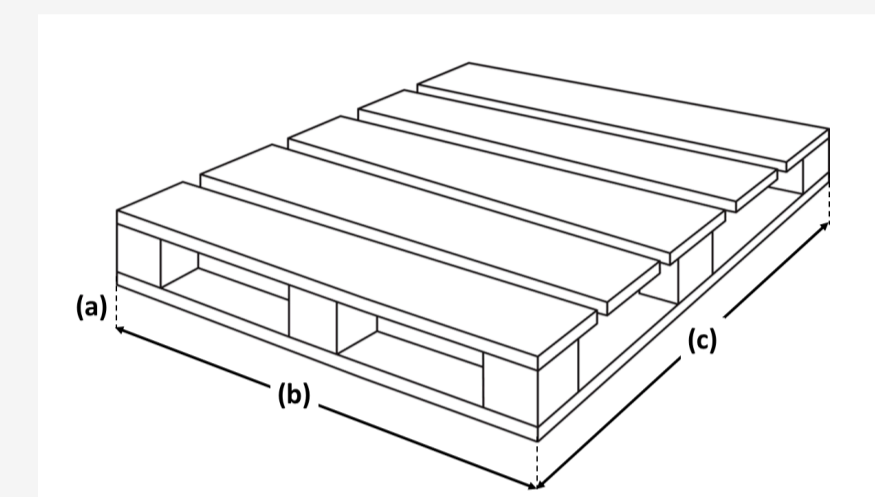
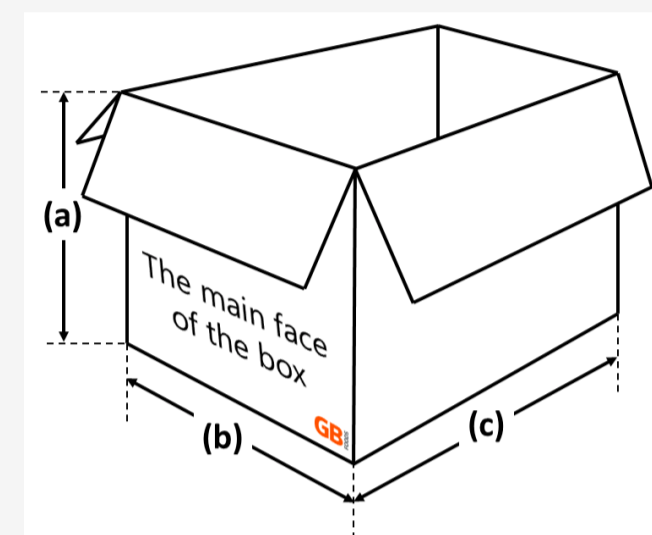
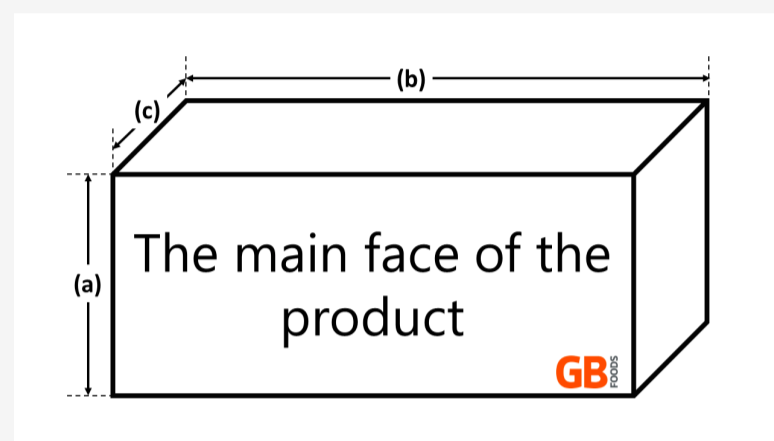
Display

SKU Master Data

Self Service

Material |

EAN |



## SUC

<b>EAN</b>	5414972356549
<b>(a) HEIGHT</b>	184 MM
<b>(b) WIDTH</b>	133 MM
<b>(c) LENGTH</b>	133 MM
<b>GROSS WEIGHT</b>	2,11 KG
<b>NET WEIGHT</b>	1,988 KG
<b>TARIF</b>	63,48 EUR
<b>SHELF LIFE</b>	274.00

## UN

<b>EAN</b>	5414972656540
<b>(a) HEIGHT</b>	186 MM
<b>(b) WIDTH</b>	275 MM
<b>(c) LENGTH</b>	275 MM
<b>GROSS WEIGHT</b>	9,03 KG
<b>NET WEIGHT</b>	7,952 KG
<b>SUC/UN</b>	4

## PL

<b>EAN</b>	35414972656541
<b>(a) HEIGHT</b>	1,08 M
<b>(b) WIDTH</b>	0,8 M
<b>(c) LENGTH</b>	1,2 M
<b>VOLUME</b>	1036,8 L
<b>GROSS WEIGHT</b>	563,56 KG
<b>NET WEIGHT</b>	477,12 KG
<b>UN/LAYERS</b>	12
<b>LAYERS</b>	5
<b>UN/PL</b>	60
<b>SUC/PL</b>	240